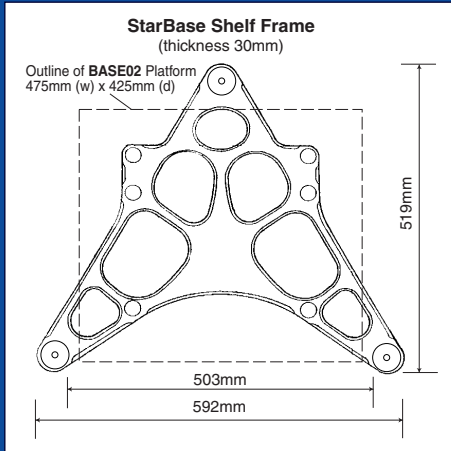
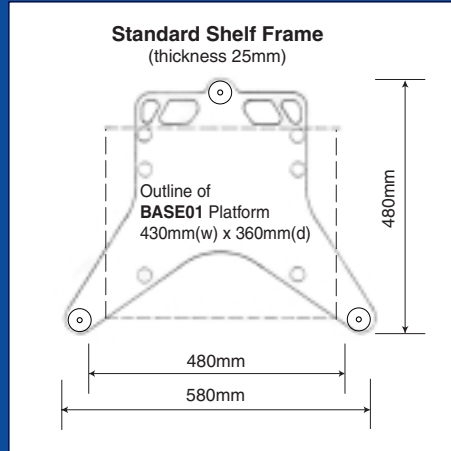
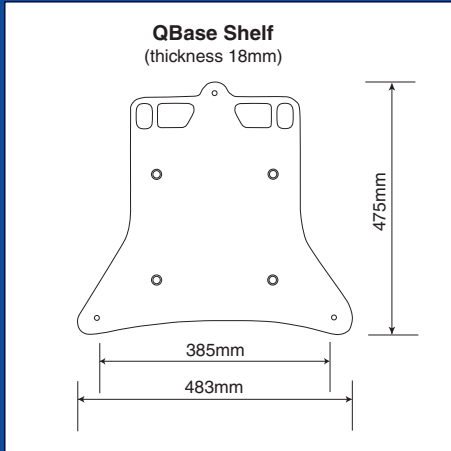


Technical Specifications

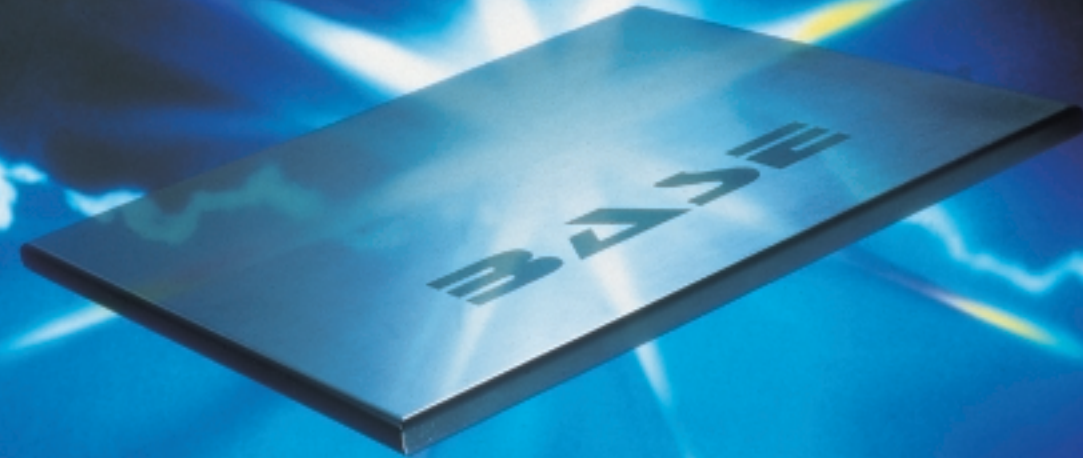


Spacer Tube Size Range
(black or silver)

Spacer Tube Code	Tube length in mm	Usable height with Platform
ST130	130	95mm
ST155	155	120mm
ST205	205	170mm
ST255	255	220mm
ST305	305	270mm
ST385	385	350mm

All tubes are 44.4mm diameter with 10mm thread

Hi Fi and Audio Visual Support Systems



DEALER STAMP

Audiophile Furniture Ltd

Head Office: Tel: +44 (0)1892 619319

Email: sales@audiophilebase.com

www.audiophilebase.com

Audiophile
BASE

incorporating vibration control technology

BASE Vibration Control

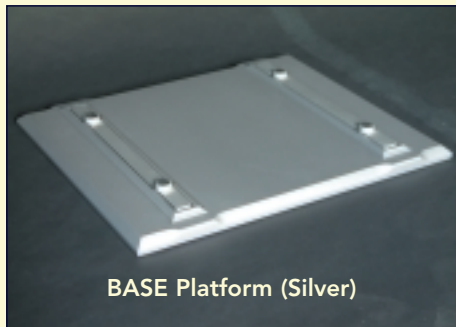
The BASE Platform was conceived to combat the detrimental effects of vibrational energy on audio equipment. The Platform uses a unique patented suspension system to dissipate external and internal energies acting on all components in the audio chain, from turntables to power amplifiers, with a resulting benefit to sound and visual reproduction.

BASE Vibration Control Platforms

The platforms are produced to unlock the performance potential of your audio and audio visual components. They can be used under audio equipment with existing furniture or with a dedicated Base Support.



BASE Platform (Black)

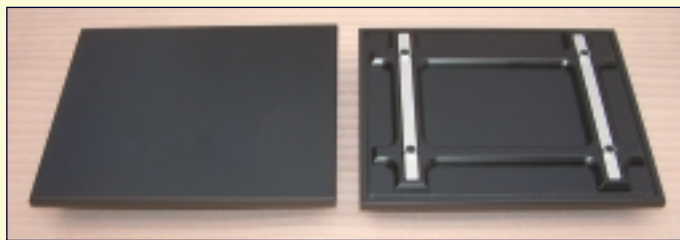


BASE Platform (Silver)

Sizes available in black or silver:

Base Q01 350mm x 360mm
Base 01 430mm x 360mm
Base 02 475mm x 425mm

Base 03 525mm x 425mm
Base 04 450mm x 550mm
Base TV 01 550mm x 450mm



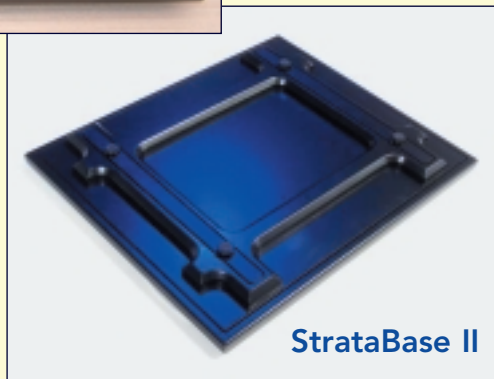
StrataBase I

The StrataBase Platform

Through its revealing qualities it is approaching the ultimate in achieving what your equipment really has to offer – "hearing is believing".

Sizes available in black only.

StrataBase I 430mm x 360mm
StrataBase II 475mm x 425mm



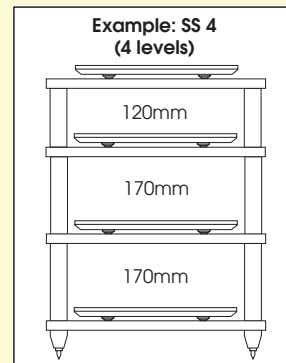
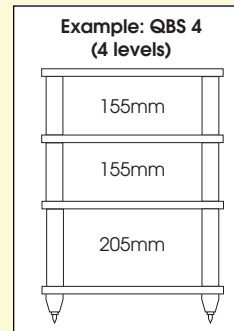
StrataBase II

BASE Supports

QBase, Standard and StarBase Supports are offered in the most popular combinations. However, being of a modular design and with variations in tube length available, alternative configurations are possible (see price list for other options).

QBase Support (QBS)

This support was specifically designed for three-Quarter box sized equipment and incorporates resonance control as part of the shelf construction.



Standard Support (SS)

This is the dedicated support for the Base 01 Platform and this combination made it 'Best buy' in Hi Fi Choice.



StarBase Support (SBS)

This flag ship of the Base range has achieved many accolades from 'music lovers' and the Hi Fi Press. Stated in What Hi Fi Magazine as "Exceptional – with hi-end hi-fi the results are spectacular".

